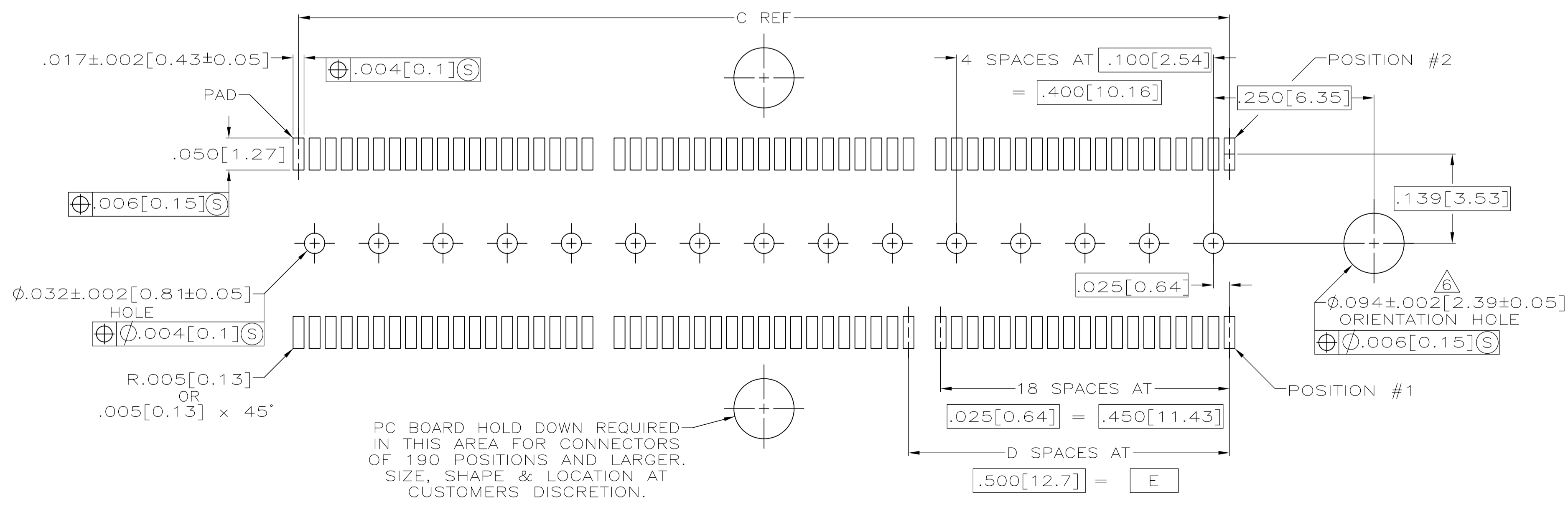
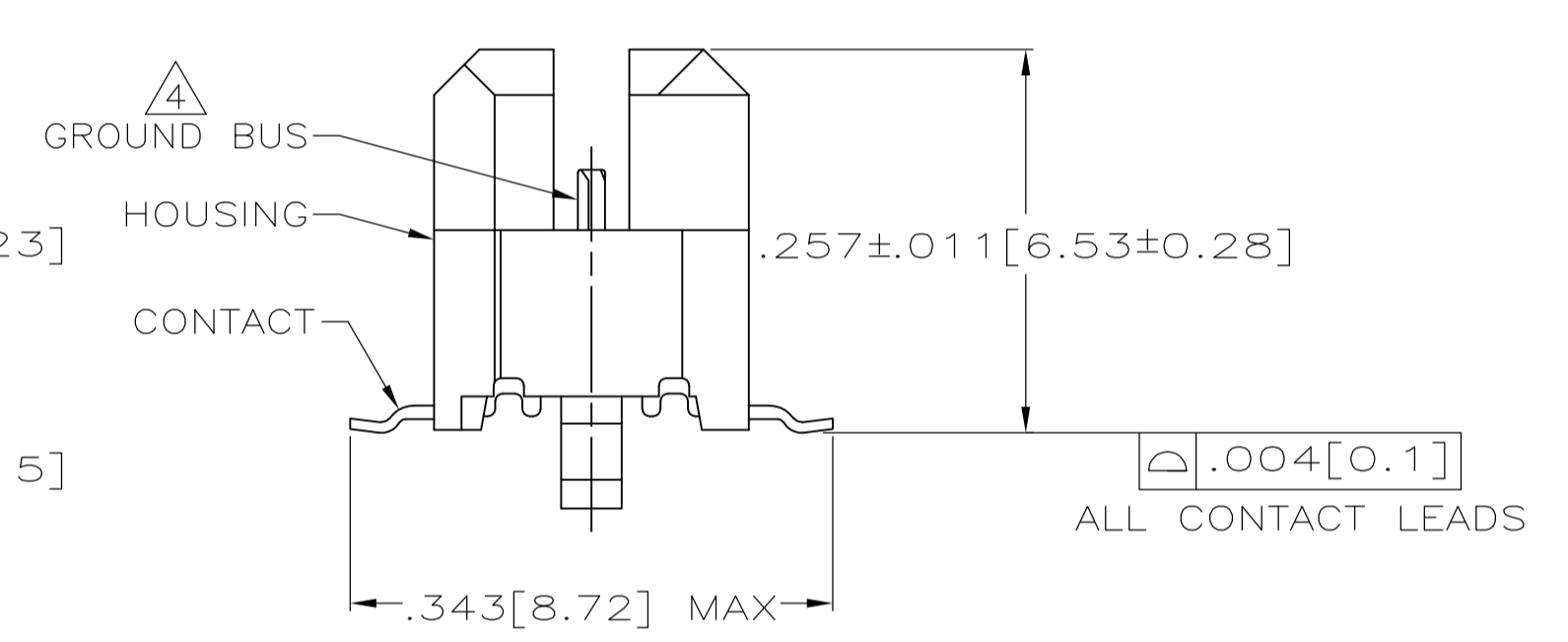
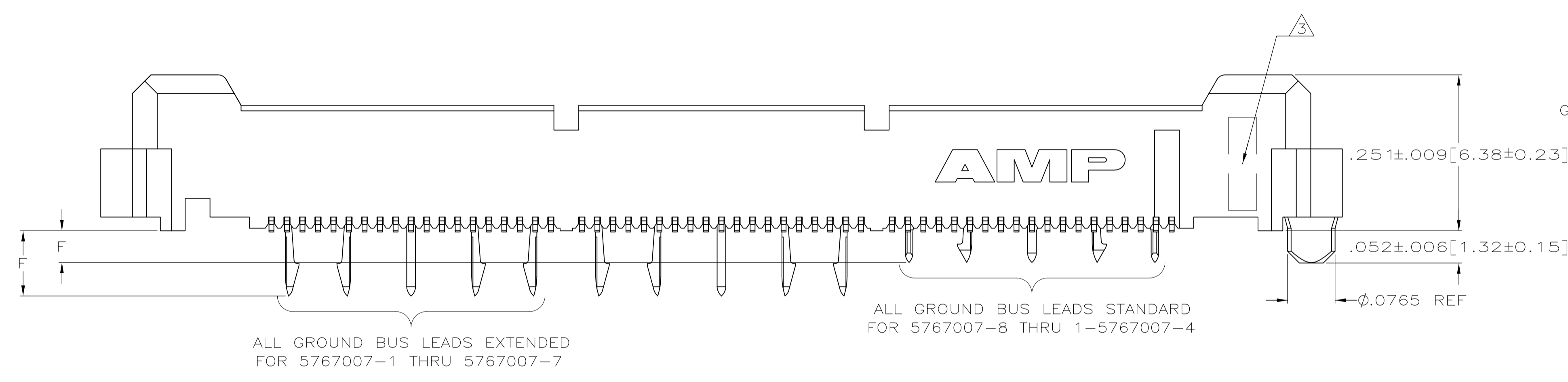


- ① HOUSING: LIQUID CRYSTAL POLYMER, COLOR BLACK. CONTACTS: HIGH RELIABILITY COPPER ALLOY. GROUND BUSES: PHOSPHOR BRONZE ALLOY, UNS C51100.
- ② CONTACTS & GROUND BUSES: NICKEL UNDERPLATE ALL OVER, MATING SURFACE PLATED TO MEET LEVEL 1 PERFORMANCE REQUIREMENTS OF TE PRODUCT SPECIFICATION 108-1422, SOLDER TAILS PLATED MATTE TIN.
- ③ DATE CODE MARKED IN AREA INDICATED ON SAME SIDE AS POSITION #1.
- ④ ONE GROUND BUS WITH 5 TAILS PER EACH MODULE.
- ⑤ TOLERANCE NON-ACCUMULATIVE.
- ⑥ FOR SLIP-FIT APPLICATIONS, ORIENTATION HOLE TO BE $\phi.079\pm.001[2.00\pm0.03]$.



PC BOARD HOLD DOWN REQUIRED IN THIS AREA FOR CONNECTORS OF 190 POSITIONS AND LARGER. SIZE, SHAPE & LOCATION AT CUSTOMERS DISCRETION.

RECOMMENDED PC BOARD LAYOUT (VIEWED FROM CONNECTOR SIDE)

BUS LEADS TYPE	F	E	D	C	B	A	NO OF POS	PART NUMBER
STANDARD	.053[1.35]	3.000[76.2]	6	3.450[87.63]	3.898[99]	4.000[101.6]	266	1-5767007-4
STANDARD	.053[1.35]	2.500[63.5]	5	2.950[74.93]	3.398[86.31]	3.500[88.9]	228	1-5767007-3
STANDARD	.053[1.35]	2.000[50.8]	4	2.450[62.23]	2.898[73.61]	3.000[76.2]	190	1-5767007-2
STANDARD	.053[1.35]	1.500[38.1]	3	1.950[49.53]	2.398[60.91]	2.500[63.5]	152	1-5767007-1
STANDARD	.053[1.35]	1.000[25.4]	2	1.450[36.83]	1.898[48.21]	2.000[50.8]	114	1-5767007-0
STANDARD	.053[1.35]	.500[12.7]	1	.950[24.13]	1.398[35.51]	1.500[38.1]	76	5767007-9
STANDARD	.053[1.35]	.000[0]	0	.450[11.43]	.898[22.81]	1.000[25.4]	38	5767007-8
OBsolete EXTENDED	.107[2.72]	3.000[76.2]	6	3.450[87.63]	3.898[99]	4.000[101.6]	266	5767007-7
OBsolete EXTENDED	.107[2.72]	2.500[63.5]	5	2.950[74.93]	3.398[86.31]	3.500[88.9]	228	5767007-6
OBsolete EXTENDED	.107[2.72]	2.000[50.8]	4	2.450[62.23]	2.898[73.61]	3.000[76.2]	190	5767007-5
OBsolete EXTENDED	.107[2.72]	1.500[38.1]	3	1.950[49.53]	2.398[60.91]	2.500[63.5]	152	5767007-4
OBsolete EXTENDED	.107[2.72]	1.000[25.4]	2	1.450[36.83]	1.898[48.21]	2.000[50.8]	114	5767007-3
OBsolete EXTENDED	.107[2.72]	.500[12.7]	1	.950[24.13]	1.398[35.51]	1.500[38.1]	76	5767007-2
OBsolete EXTENDED	.107[2.72]	.000[0]	0	.450[11.43]	.898[22.81]	1.000[25.4]	38	5767007-1

THIS DRAWING IS A CONTROLLED DOCUMENT.

DIMENSIONS: INCHES [mm]	TOLERANCES UNLESS OTHERWISE SPECIFIED:	0 PLC ± -	1 PLC ± -	2 PLC ± -	3 PLC ± .005(0.13)	4 PLC ± -	ANGLES ± -
-------------------------	--	-----------	-----------	-----------	--------------------	-----------	------------

MATERIAL	FINISH	REVISED PER ECO-08-009495	DATE 25 OCT 04	BY D. DIXON	CHK D. DIXON	APPROVED D. DIXON	NAME	TYCO ELECTRONICS CORPORATION
1	2	114-11004	108-1422	PLUG ASSEMBLY, .260[6.6] VERTICAL, .025[0.64]CL, GULL WING LEADS, MICTOR	114-11004	00779	5767007	TYCO ELECTRONICS CORPORATION, HARRISBURG, PA 17105-3608

CUSTOMER DRAWING SCALE 8:1 SHEET 1 OF 1 REV A